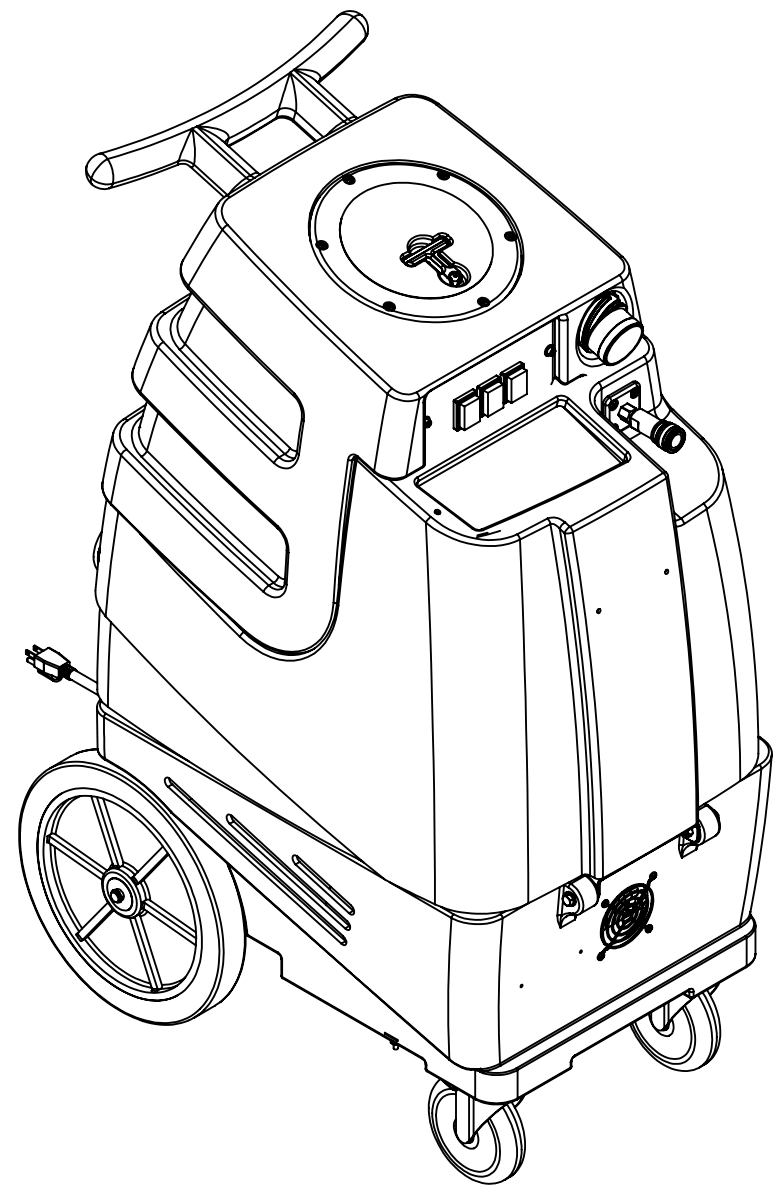


ITEM NO.	PART NO.	DESCRIPTION	QTY.	MSRP
1	H296	guard, cooling fan, wire	2	\$2.99 ea
2	H304	screw, #8 x 5/8 phil oval, s/s	14	\$0.99 ea
3	H216	nut, lock, 1/4-20, nylon insert, s/s	10	\$0.99 ea
4	H210	washer, 1/4" flat, s/s	19	\$0.99 ea
5	H342	bolt, 1/4-20 x 1" hex head, s/s	8	\$0.99 ea
6	H666	caster, 5", Black hub & gray tread	2	\$23.19 ea
7	H254	washer, axle, cut 1/2" id	4	\$0.99 ea
8	H251	wheel, 12"	2	\$41.99 ea
9	H042	c-clip, 12mm, external	2	\$0.99 ea
10	H371	axle, 18.03" x .50" dia	1	\$9.99 ea
11	AH105	hose, pulse, 3/8" x 17-1/2", (OAL), f	1	\$31.99 ea
12	AH156	hose, 3/8", (OAL), f x fs, 5400 gray	1	\$23.99 ea
13	B103	elbow, brass, 90 deg, 1/4"mpt x 1/4" fpt	2	\$4.49 ea
14	H273	nut, kep, #10-32 zinc	6	\$0.99 ea
15	H528	bracket, heater mounting, dual	1	\$29.99 ea
16	H256	screw, 10-32 x 3/4" phil pan head, zinc	6	\$0.99 ea
17	E571	heating rod, 600W, 115V	2	\$49.99 ea
18	B142A	coupling, brass, 1/4" fpt x 1/4" fpt	1	\$4.49 ea
19	B108	valve, brass, 1/4" check	1	\$13.99 ea
20	H274	screw, 6 x 3/16, phil pan head, self-tapping	10	\$0.99 ea
21	H903A	heater, aluminum cast, single	2	\$78.99 ea
22	E573	Thermostat, 200°, Auto, 1/4"	2	\$16.49 ea
23	E574	Thermostat, 310°F ± 10°F, Manual, 1/4"	2	\$17.99 ea
24	AH120	sol hose, 28" x 1/4", 1/4 fpt	2	\$35.49 ea
25	H221	nut, lock, 1/2" steel	1	\$1.99 ea
26	H220	fitting, strain relief, cord	1	\$3.19 ea
27	E531	power cord, end, 25', 12/3 black	1	\$52.99 ea
28	P731	base	1	\$141.99 ea
29	PH615-34	sol hose, 1/2" kuri 100psi	1	\$8.99/ft
30	B160	adapter, brass, 1/2" barb x 3/8" fsw, ball end	1	\$3.49 ea
31	B186	elbow, brass, 90 deg, 3/8"mpt x 3/8" fmpt	1	\$8.99 ea
32	B652	elbow, brass, 90 deg, 3/8"mpt x 1/4"mpt	1	\$8.49 ea
33	H299	washer, 11/16" id x 1-1/2" od x .075, s/s	4	\$0.99 ea
34	H222	screw, 10-32 x 1-1/4" phil pan head, s/s	4	\$0.99 ea
35	C305	pump, 120 psi, 115V	1	\$151.99 ea
36	B172	elbow, brass, 90 deg, 1/2" barb x 3/8"mpt	1	\$9.49 ea
37	B173	ferrule, 1/2", brass	2	\$0.99 ea
38	H912	bracket, rear, fb/spy	1	\$9.99 ea
39	H770	bolt, 1/4-20 x 1/2" serrated hex flange, zinc	8	\$0.99 ea
40	H307	washer, star, 1/4" steel zinc	2	\$0.99 ea
41	H217	clamp, hose, 2-1/4 dia	2	\$1.49 ea
42	PH628-24	vac hose, 2", wire reinforced	1	\$8.99/ft
43	H124	Cuff-Lynx, 2" mpt x 2" female cuff	2	\$3.99 ea
44	H194	coupler, 2" dia x 2.5" length, s/s	1	\$10.00 ea
45	H203	bolt, 1/4-20 x 1-1/4"	2	\$0.99 ea
46	H211	washer, 1/4" id x 1" od, flat, s/s	4	\$0.99 ea
47	G052	washer, buna 1-1/8" od x 3/16" id	4	\$1.99 ea
48	H213	washer, 1/4" lock, s/s	7	\$0.99 ea
49	H215	nut, hex, 1/4-20 s/s	2	\$0.99 ea
50	G018	cover, sol tank (sp)	1	\$12.99 ea
51	P732	sol tank	1	\$141.99 ea
52	B107	nipple, brass, 1/4"m, hex	2	\$3.19 ea
53	H484	plate, mounting, QD	1	\$4.99 ea
54	B111	adapter, brass, extender, 1/4" mpt x 1/4" fpt, hex	1	\$3.49 ea
55	B102	qd, brass, 1/4" f x 1/4" fpt	1	\$17.99 ea
56	H201	bolt, 1/4-20 x 1/2", hex head, zinc	2	\$0.99 ea
57	H378	bracket, front hinge, sp/fb	1	\$8.99 ea
58	H316	bolt, 1/4x1-1/2", hex head zinc	2	\$0.99 ea
59	B119A	filter, strainer, 1/2"	1	\$6.49 ea
60	B210	bushing, brass, 1/2"mpt x 3/8" fpt, hex	1	\$2.49 ea
61	B216	nipple, brass, 3/8" x close	1	\$1.99 ea
62	H226	spout, drain, 45 degree	1	\$3.19 ea

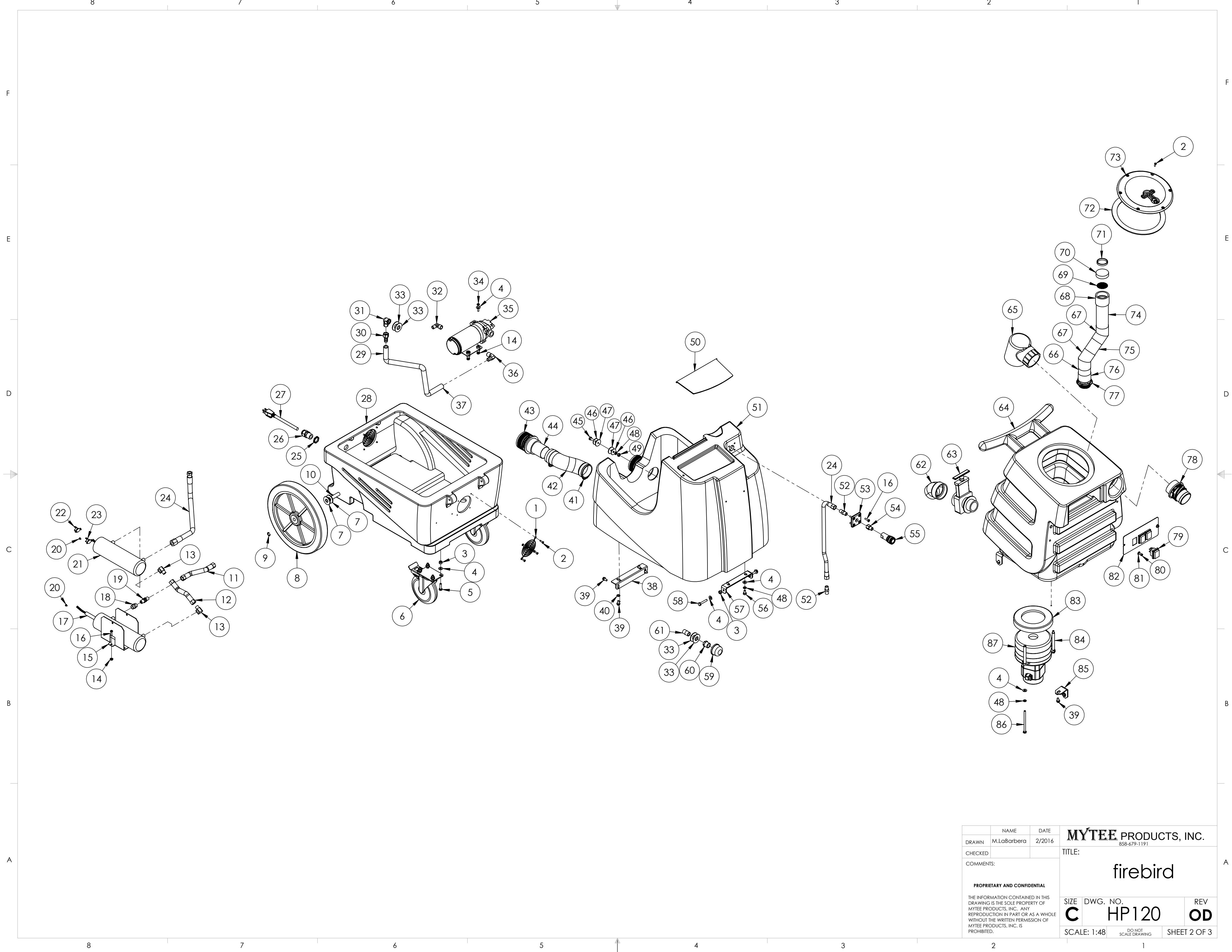
ITEM NO.	PART NO.	DESCRIPTION	QTY.	MSRP
63	H225	valve, drain, 1-1/2"	1	\$20.99 ea
64	P733	vac tank	1	\$190.99 ea
65	A926	elbow, inlet assembly 2"	1	\$15.99 ea
66	PH633-03	pipe, pvc, 1-1/2"	1	\$4.99/ft
67	P503	adapter, 1.5" pvc, 45 deg, fslip x fslip	2	\$3.29 ea
68	P502	adapter, 1.5" pvc, fslip x fslip	1	\$5.00 ea
69	G097	screen, mesh filter, 1-1/2" dia	1	\$4.99 ea
70	G003	filter, foam, 2" x .50" o.d.	1	\$1.99 ea
71	PH633-1	pipe, pvc, 1-1/2"	1	\$4.99 ft
72	G091	gasket, 7", vac lid	1	\$11.99 ea
73	G090	lid, vac tank, clear, 7"	1	\$36.99 ea
74	PH633-06	pipe, pvc, 1-1/2"	1	\$4.99 ft
75	PH633-4	pipe, pvc, 1-1/2"	1	\$4.99/ft
76	P520	adapter, pvc, 1-1/2" mpt x 1-1/2" fms	1	\$2.99 ea
77	H314	nut, lock, 1-1/2", steel	1	\$1.99 ea
78	H135	Cuff-Lynx, 2" m cuff x 2" mpt	1	\$3.99 ea
79	E515	switch, rocker, 2 position	3	\$13.99 ea
80	H389	screw, 10-32 x 1/2" SHCS, alloy	2	\$0.99 ea
81	H612	Washer, #8, flat regular	2	\$0.99 ea
82	H338	plate, switch, sp, 3 hole	1	\$6.99 ea
83	G004	gasket, vacuum motor	1	\$8.99 ea
84	H503	vac support, 3 stage, 3.25", no thrds	3	\$3.99 ea
85	H390A	bracket, "L"	2	\$6.99 ea
86	H096	bolt, hex, 1/4-20 x 4", zinc Finish	3	\$0.99 ea
87	C302LA	vac motor, 3 stage, low amp	1	\$139.99 ea

ITEMS NOT SHOWN

PART NO.	DESCRIPTION	QTY.	MSRP
ADM-HP100	manual, spyder	1	N/A
A999	harness, electrical	1	\$73.99 ea
A935	sol hose, pig tail, 1/8" x 7 1/2"	1	\$14.99 ea
AH136	sol hose, 1/5" x 15', 1/8 mpt x 1/4 mpt	1	\$44.99 ea
B101	quick disconnect, male, 1/4" male x 1/4" fpt	2	\$8.49 ea
B102	quick disconnect, 1/4" female x 1/4" fpt	1	\$17.99 ea
B104	bushing, hex, 1/4" mpt x 1/8" fpt	1	\$1.99 ea
G008	piglet filter	1	\$6.29 pak
G079	hose wrap, heat guard	1	\$2.99 ea
H133	Cuff-Lynx, 1-1/4" hose x male & female	2	\$9.99 ea
H230	screw, 10-32 x 1/2" phil pan head, s/s	2	\$0.99 ea
H282	tool, upholstery, s/s w/valve	1	\$98.99 ea
H375	hanger, wire formed, hose	1	\$10.99 ea
H701	hose, vac, 15' x 1-1/4" w/1-1/2" black cuffs	1	\$44.99 ea
H122	Cuff-Lynx, 1.25" hose cuff x 2" female cuff	1	\$3.99 ea
P590	cuties, 1/4" qd, standard pack of 2	1	\$2.99 ea



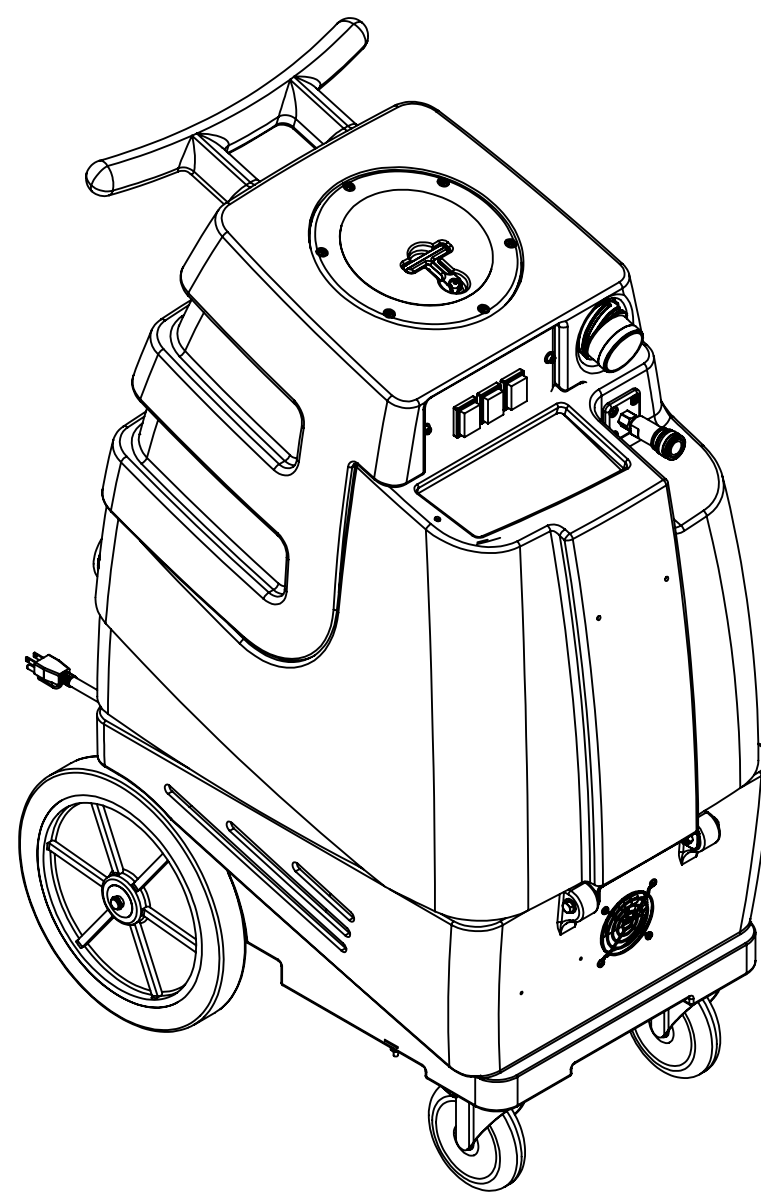
NAME	DATE	MYTEE PRODUCTS, INC. 858-679-1191	
DRAWN M.LaBarbera	2/2016	TITLE:	
CHECKED		firebird	
COMMENTS:		PROPRIETARY AND CONFIDENTIAL THE INFORMATION CONTAINED IN THIS DRAWING IS THE SOLE PROPERTY OF MYTEE PRODUCTS, INC. ANY REPRODUCTION IN PART OR AS A WHOLE WITHOUT THE WRITTEN PERMISSION OF MYTEE PRODUCTS, INC. IS PROHIBITED.	
SIZE	DWG. NO.	REV	
C	HP120	OD	
SCALE: 1:48	DO NOT SCALE DRAWING	SHEET 1 OF 3	



	NAME	DATE	MYTEE PRODUCTS, INC. 858-679-1191	
DRAWN	M.LaBarbera	2/2016	TITLE:	
CHECKED			firebird	
COMMENTS:	<p>PROPRIETARY AND CONFIDENTIAL</p> <p>THE INFORMATION CONTAINED IN THIS DRAWING IS THE SOLE PROPERTY OF MYTEE PRODUCTS, INC. ANY REPRODUCTION IN PART OR AS A WHOLE WITHOUT THE WRITTEN PERMISSION OF MYTEE PRODUCTS, INC. IS PROHIBITED.</p>			
	SIZE	DWG. NO.	REV	
	C	HP120	OD	
	SCALE: 1:48	DO NOT SCALE DRAWING	SHEET 2 OF 3	

REVISIONS

REV.	DESCRIPTION	DATE	APPROVED
OD	ORIGINAL DRAFT	2/2016	JFL



	NAME	DATE	MYTEE PRODUCTS, INC. <small>858-679-1191</small>	
DRAWN	M.LaBarbera	2/2016	TITLE:	
CHECKED			firebird	
COMMENTS:			SIZE	DWG. NO.
PROPRIETARY AND CONFIDENTIAL <small>THE INFORMATION CONTAINED IN THIS DRAWING IS THE SOLE PROPERTY OF MYTEE PRODUCTS, INC. ANY REPRODUCTION IN PART OR AS A WHOLE WITHOUT THE WRITTEN PERMISSION OF MYTEE PRODUCTS, INC. IS PROHIBITED.</small>			C	HP120
			SCALE: 1:48	REV OD
			DO NOT SCALE DRAWING	SHEET 3 OF 3